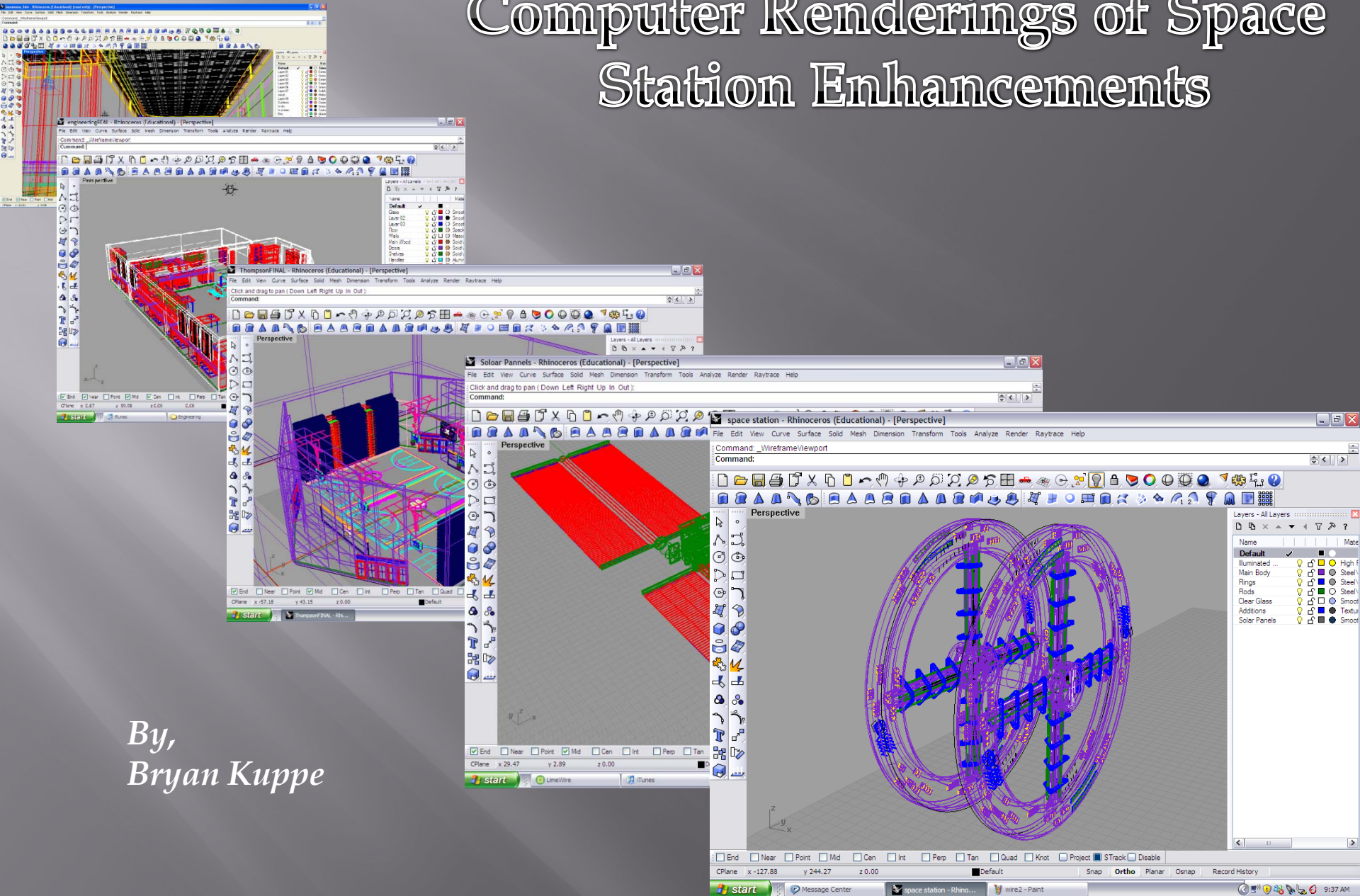
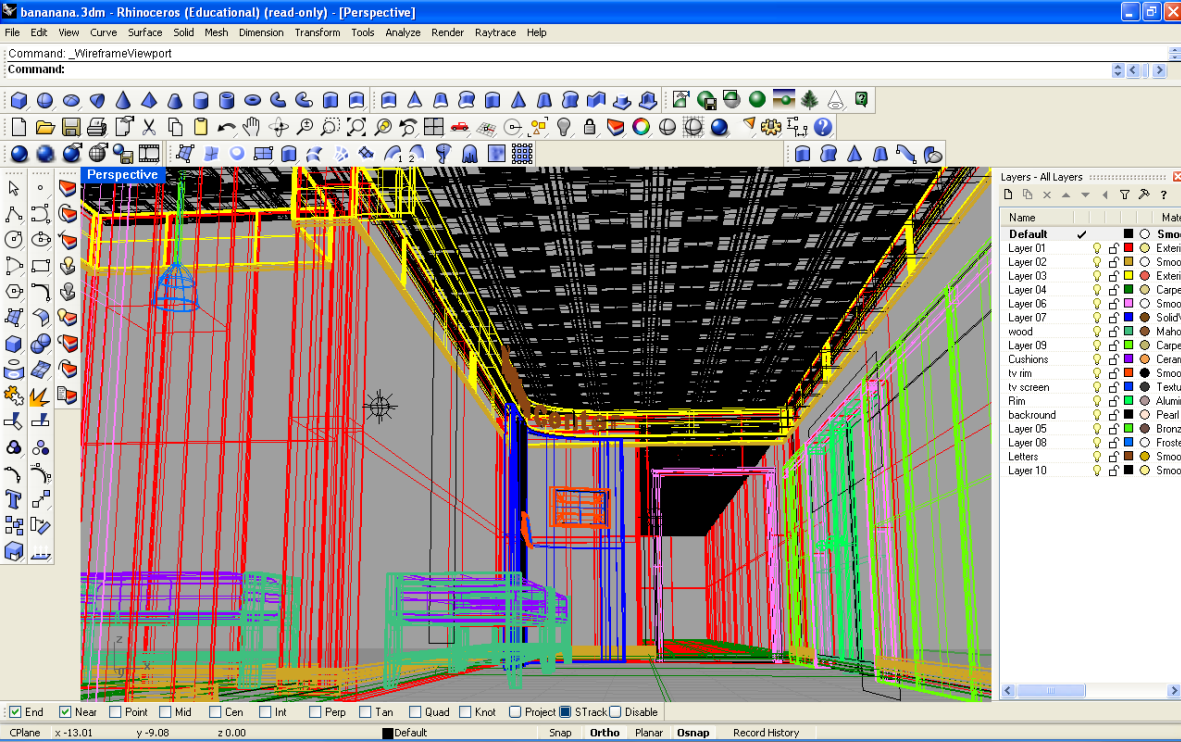
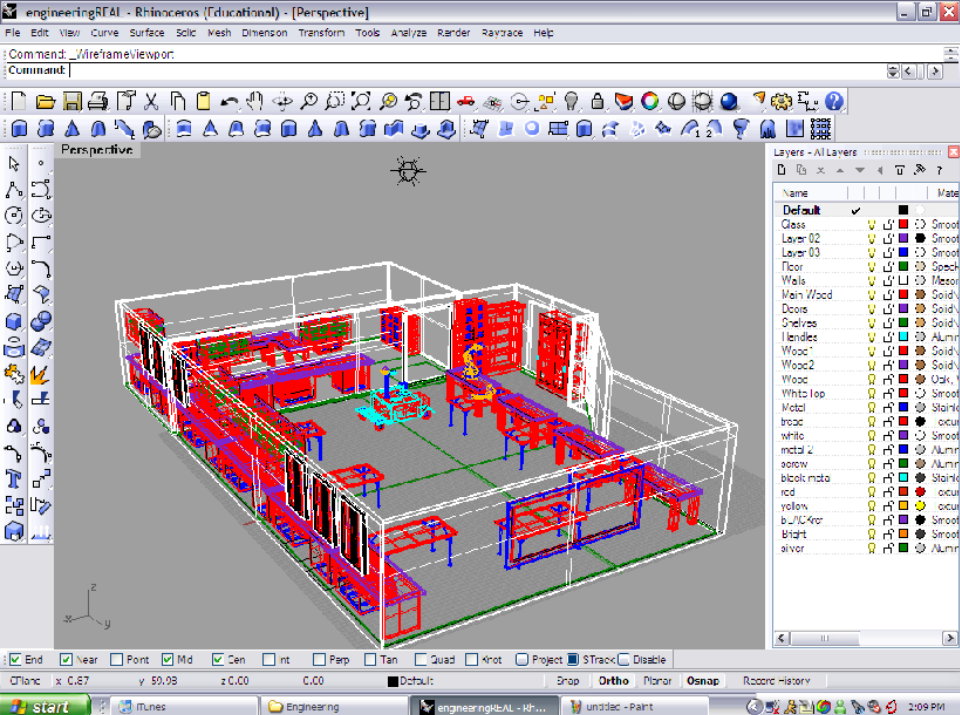


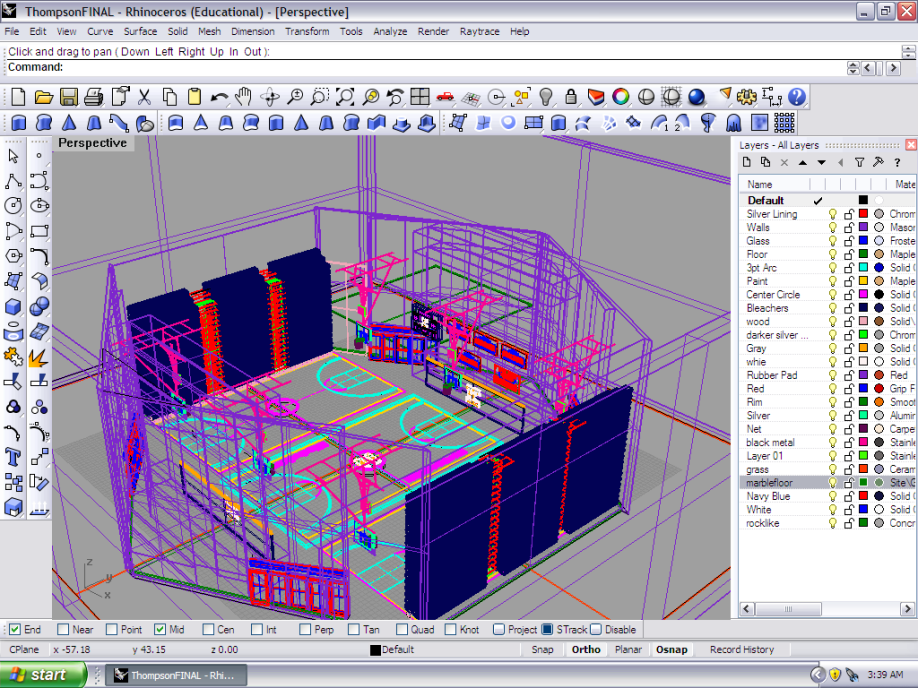
Computer Renderings of Space Station Enhancements



By,
Bryan Kuppe

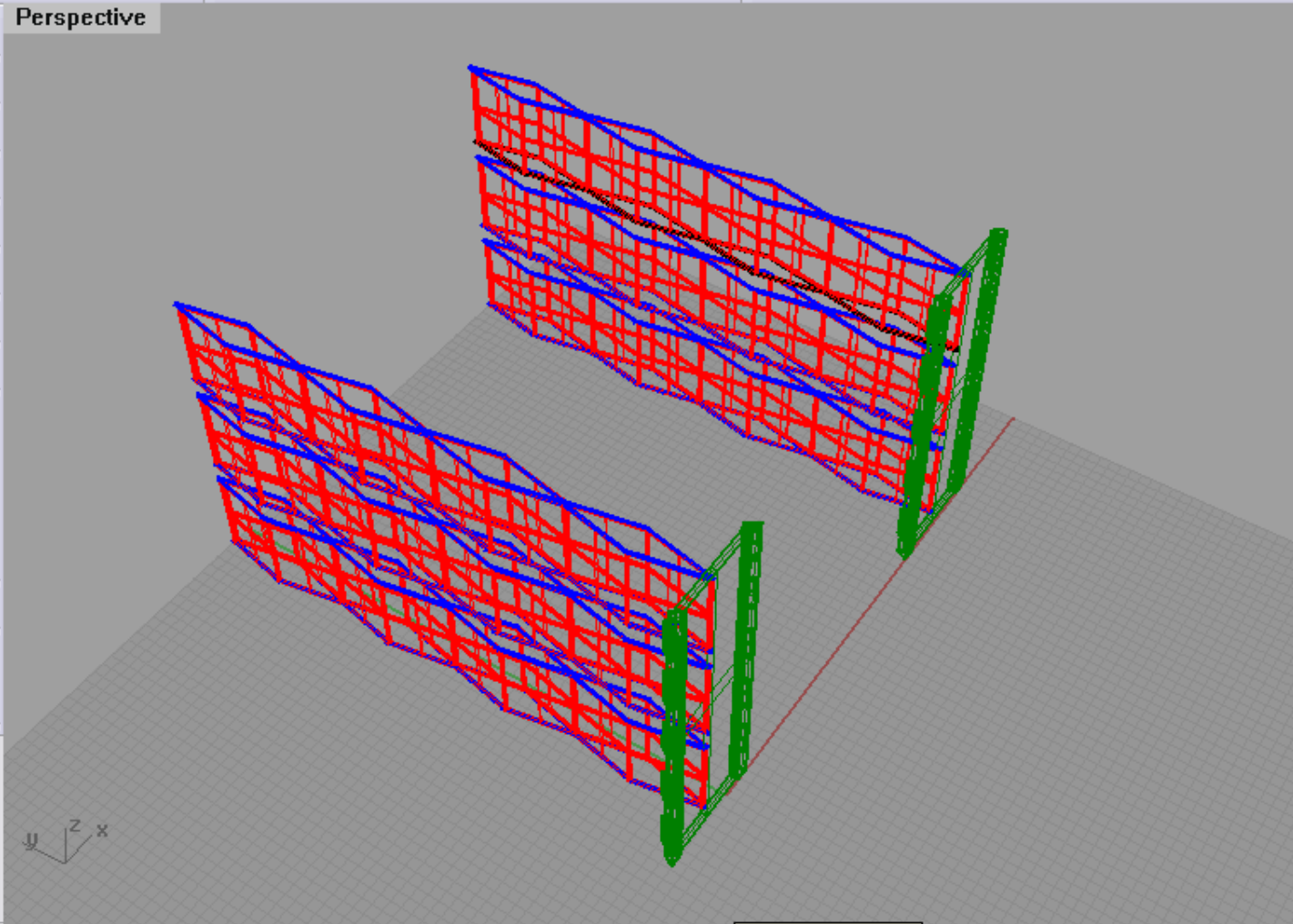






Click and drag to pan (Down Left Right Up In Out):

Command:



Layers - All Layers

Name	Light	Lock	Color	Material
Default	<input checked="" type="checkbox"/>	<input type="checkbox"/>	<input type="checkbox"/>	<input type="checkbox"/>
Layer 01	<input type="checkbox"/>	<input type="checkbox"/>	<input type="checkbox"/>	Steel
Layer 02	<input type="checkbox"/>	<input type="checkbox"/>	<input type="checkbox"/>	Steel
Layer 03	<input type="checkbox"/>	<input type="checkbox"/>	<input type="checkbox"/>	Steel
Layer 04	<input type="checkbox"/>	<input type="checkbox"/>	<input type="checkbox"/>	Steel
Layer 05	<input type="checkbox"/>	<input type="checkbox"/>	<input type="checkbox"/>	Steel

End Near Point Mid Cen Int Perp Tan Quad Quadrant object snap STrack Disable

CPlane x -9.13 y 24.35 z 0.00 Default Snap Ortho Planar Osnap Record History

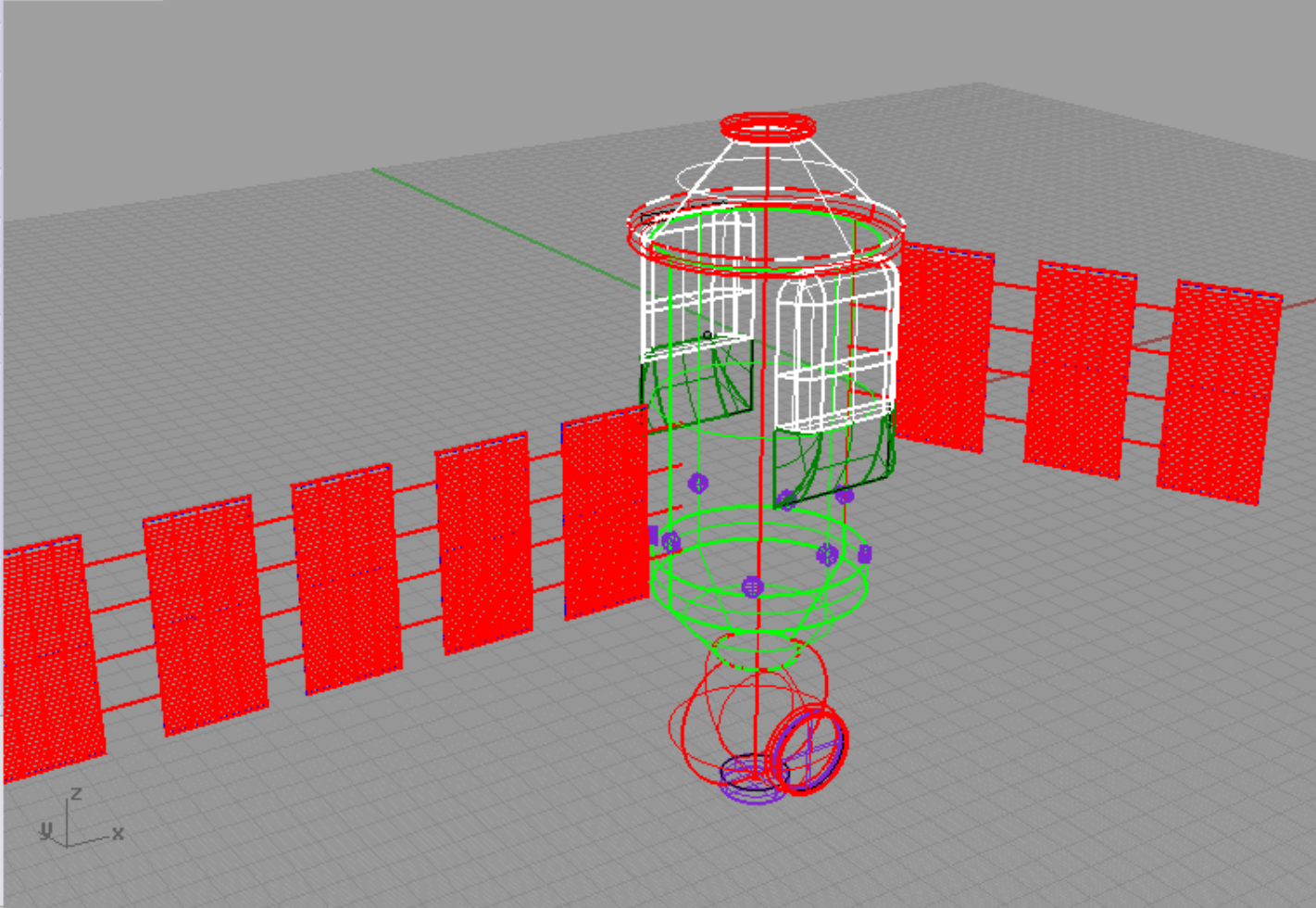


Command: _WireframeViewport

Command:



Perspective



Layers - All Layers

Name	Material	Mate
Default	<input checked="" type="checkbox"/>	<input type="checkbox"/>
silveronsolar	<input type="checkbox"/>	<input type="checkbox"/>
Darkersilver	<input type="checkbox"/>	<input type="checkbox"/>
pannelblue	<input type="checkbox"/>	<input type="checkbox"/>
bluish glass	<input type="checkbox"/>	<input type="checkbox"/>
smooth gray	<input type="checkbox"/>	<input type="checkbox"/>
body	<input type="checkbox"/>	<input type="checkbox"/>
Layer 07	<input type="checkbox"/>	<input type="checkbox"/>

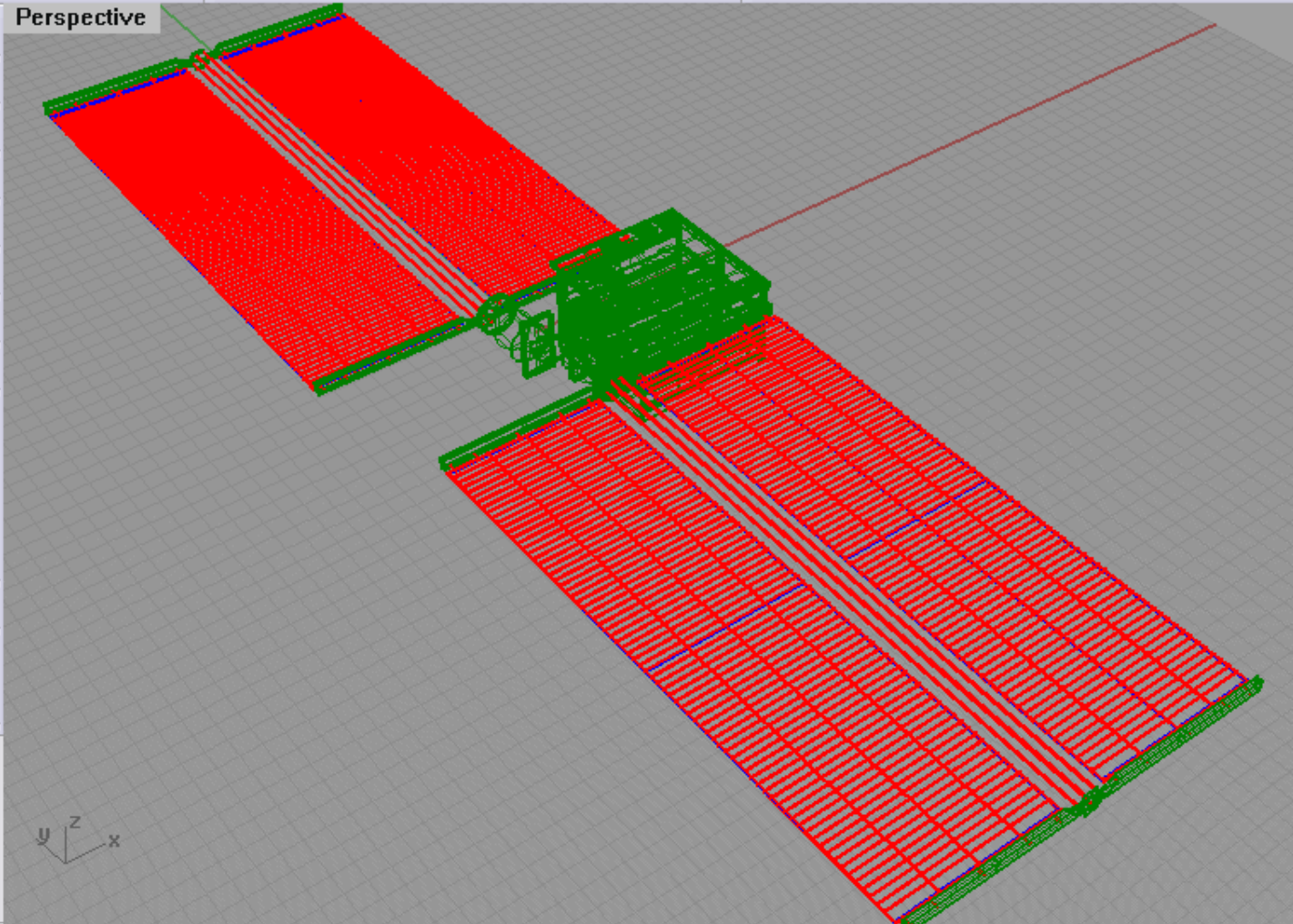
End Near Point Mid Cen Int Perp Tan Quad Knot Project STrack Disable

CPlane x 75.31 y 106.11 z 0.00 Default Snap Ortho Planar **Osnap** Record History



Click and drag to pan (Down Left Right Up In Out):

Command:



Layers - All Layers

Name	Material
Default	SteelV
Layer 01	SteelV
Layer 02	Staink
Layer 03	Staink
Layer 04	SteelV
Layer 05	SteelV

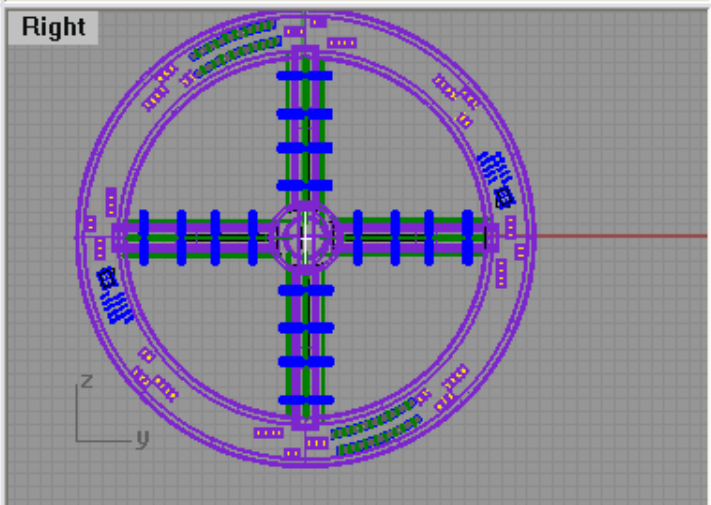
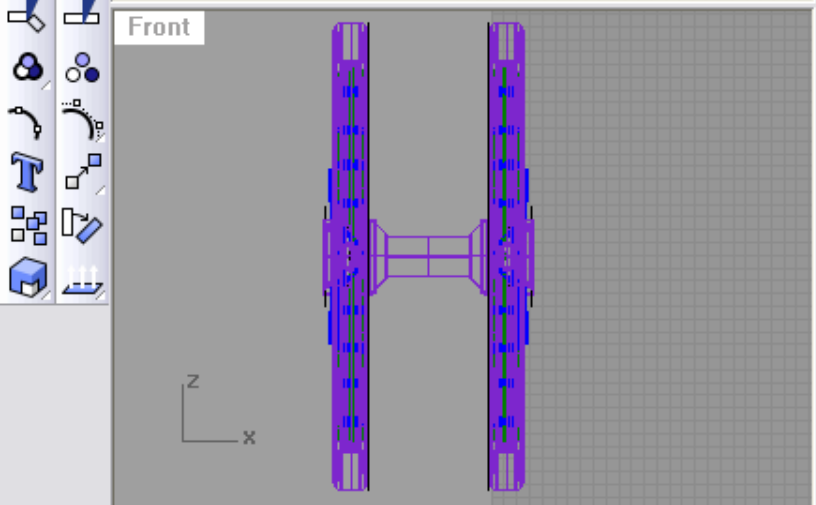
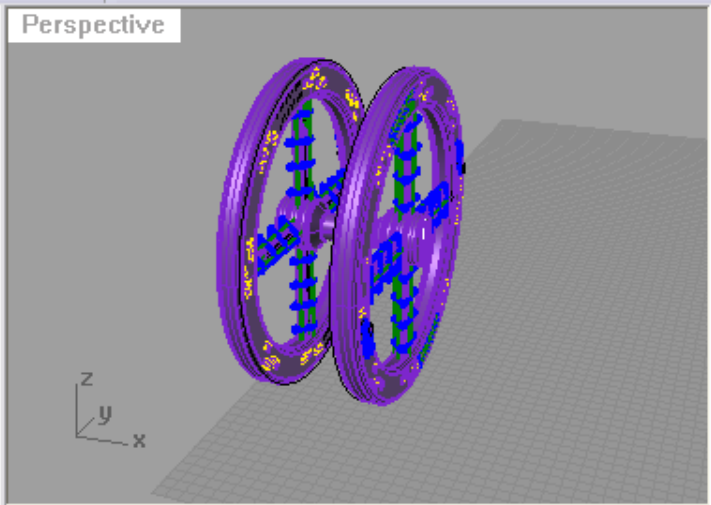
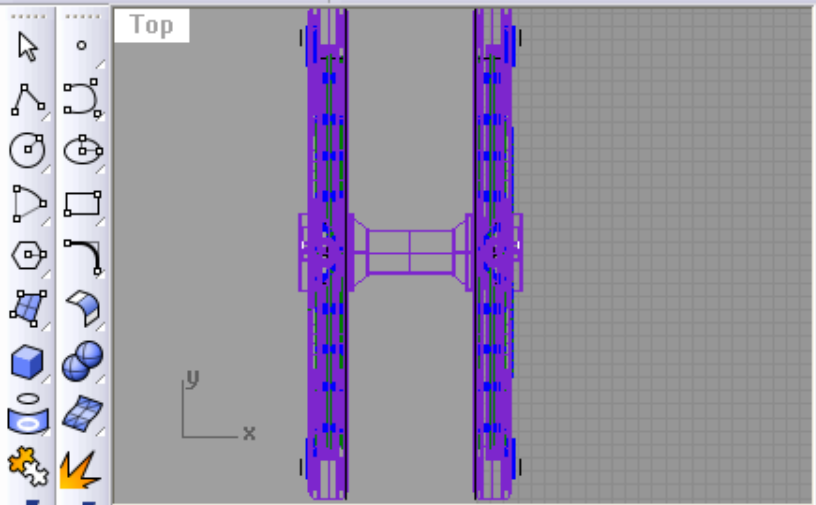
End Near Point Mid Cen Int Perp Tan Quad Knot Project STrack Disable

CPlane x 29.47 y 2.89 z 0.00 Default Snap Ortho Planar Osnap Record History





Command: _Delete
Command:



Layers - All Layers

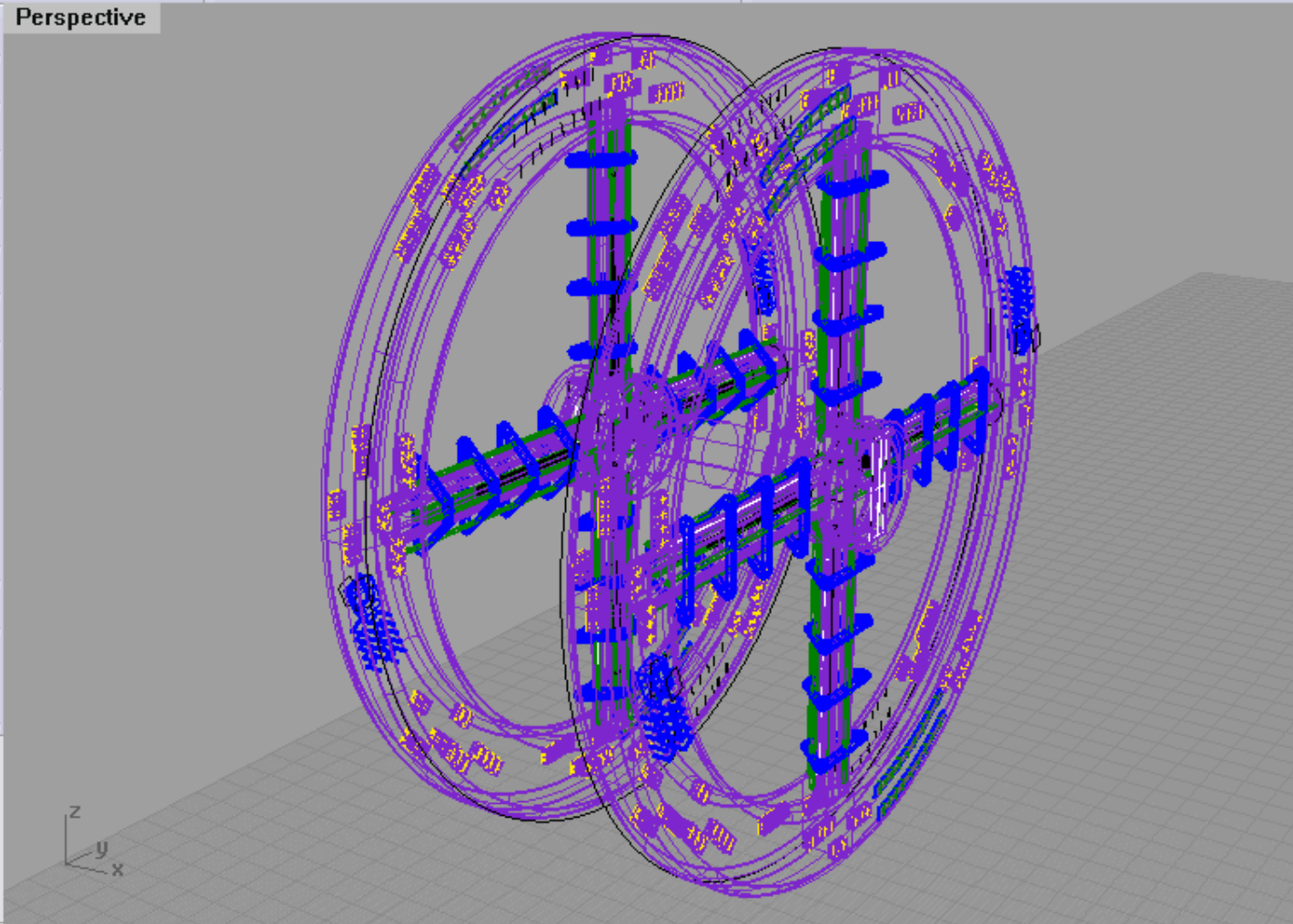
Name	Visible	Locked	Color	Material
Default	<input checked="" type="checkbox"/>	<input type="checkbox"/>	Black	None
Illuminated ...	<input type="checkbox"/>	<input type="checkbox"/>	Yellow	High P
Main Body	<input type="checkbox"/>	<input type="checkbox"/>	Purple	Steel\
Rings	<input type="checkbox"/>	<input type="checkbox"/>	Blue	Steel\
Rods	<input type="checkbox"/>	<input type="checkbox"/>	Green	Steel\
Clear Glass	<input type="checkbox"/>	<input type="checkbox"/>	White	Smooth
Additions	<input type="checkbox"/>	<input type="checkbox"/>	Blue	Textur
Solar Panels	<input type="checkbox"/>	<input type="checkbox"/>	Grey	Smooth

End Near Point Mid Cen Int Perp Tan Quad Knot Project STrack Disable

CPlane x -36.70 y 48.84 z 0.00 Default Snap Ortho Planar Osnap Record History

Command: _WireframeViewport

Command:



Layers - All Layers

Name	Light	Lock	Color	Material
Default	<input checked="" type="checkbox"/>	<input checked="" type="checkbox"/>		
Illuminated ...	<input type="checkbox"/>	<input type="checkbox"/>	Yellow	High F
Main Body	<input type="checkbox"/>	<input type="checkbox"/>	Purple	Steel\
Rings	<input type="checkbox"/>	<input type="checkbox"/>	Blue	Steel\
Rods	<input type="checkbox"/>	<input type="checkbox"/>	Green	Steel\
Clear Glass	<input type="checkbox"/>	<input type="checkbox"/>	Light Blue	Smoot
Additions	<input type="checkbox"/>	<input type="checkbox"/>	Dark Blue	Textur
Solar Panels	<input type="checkbox"/>	<input type="checkbox"/>	Grey	Smoot

End Near Point Mid Cen Int Perp Tan Quad Knot Project STrack Disable

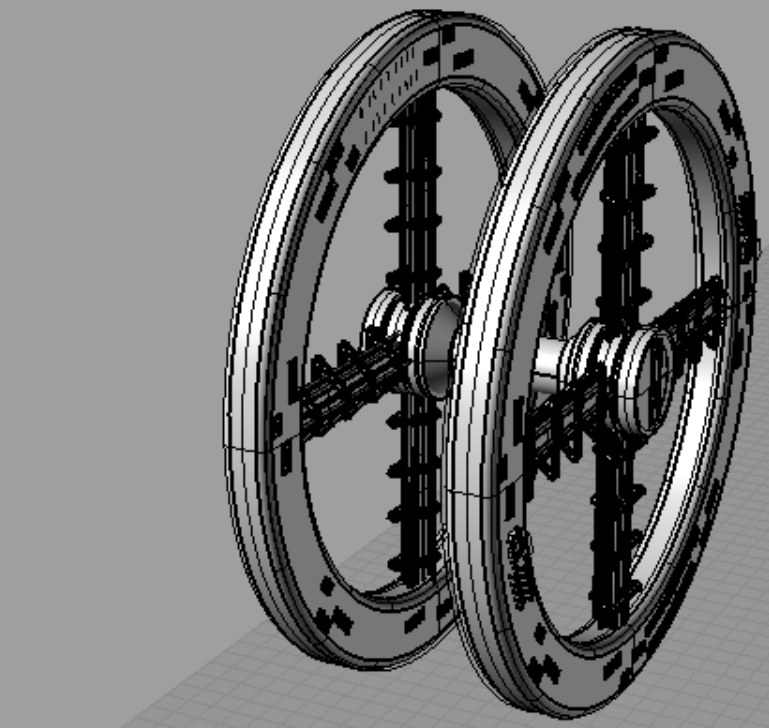
CPlane x -127.88 y 244.27 z 0.00 Default Snap Ortho Planar Osnap Record History

705 polysurfaces, 523 curves, 80 surfaces added to selection.

Command:



Perspective



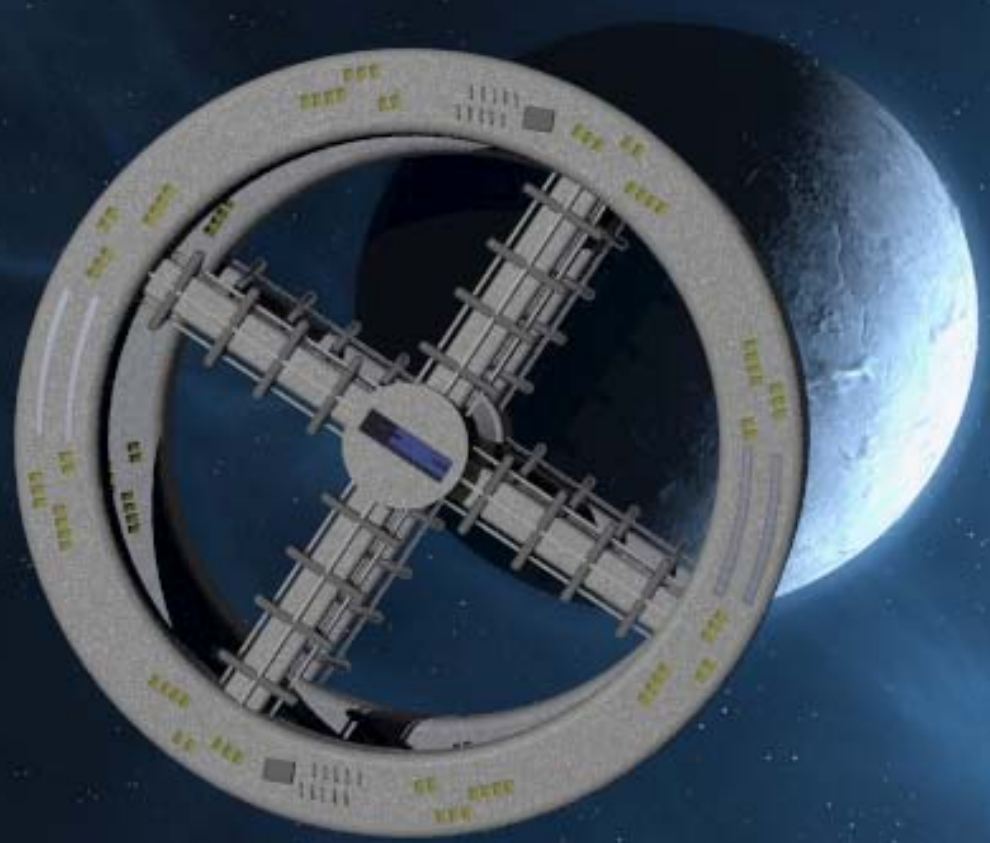
Layers - All Layers

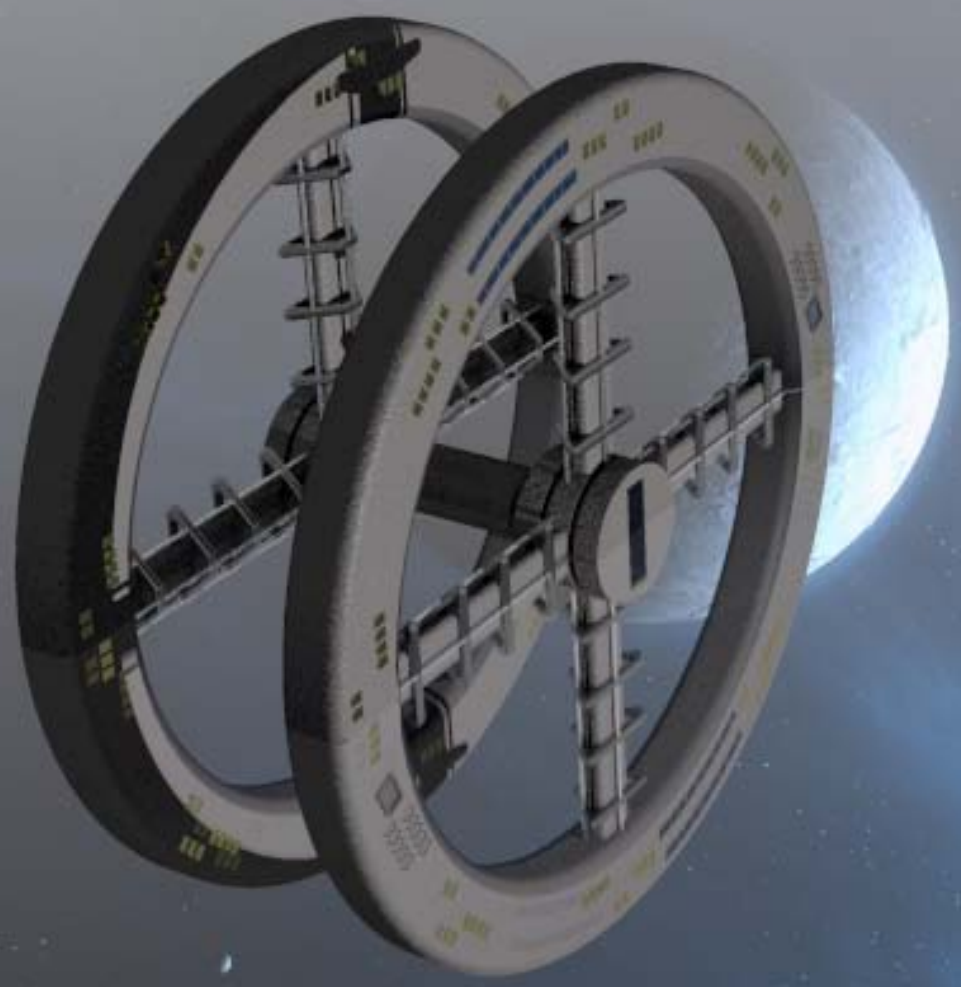
Name	Color	Material
Default	Black	Default
Illuminated ...	Yellow	High F
Main Body	Purple	Steel\
Rings	Blue	Steel\
Rods	Green	Steel\
Clear Glass	Light Blue	Smoot
Additions	Dark Blue	Textur
Solar Panels	Grey	Smoot

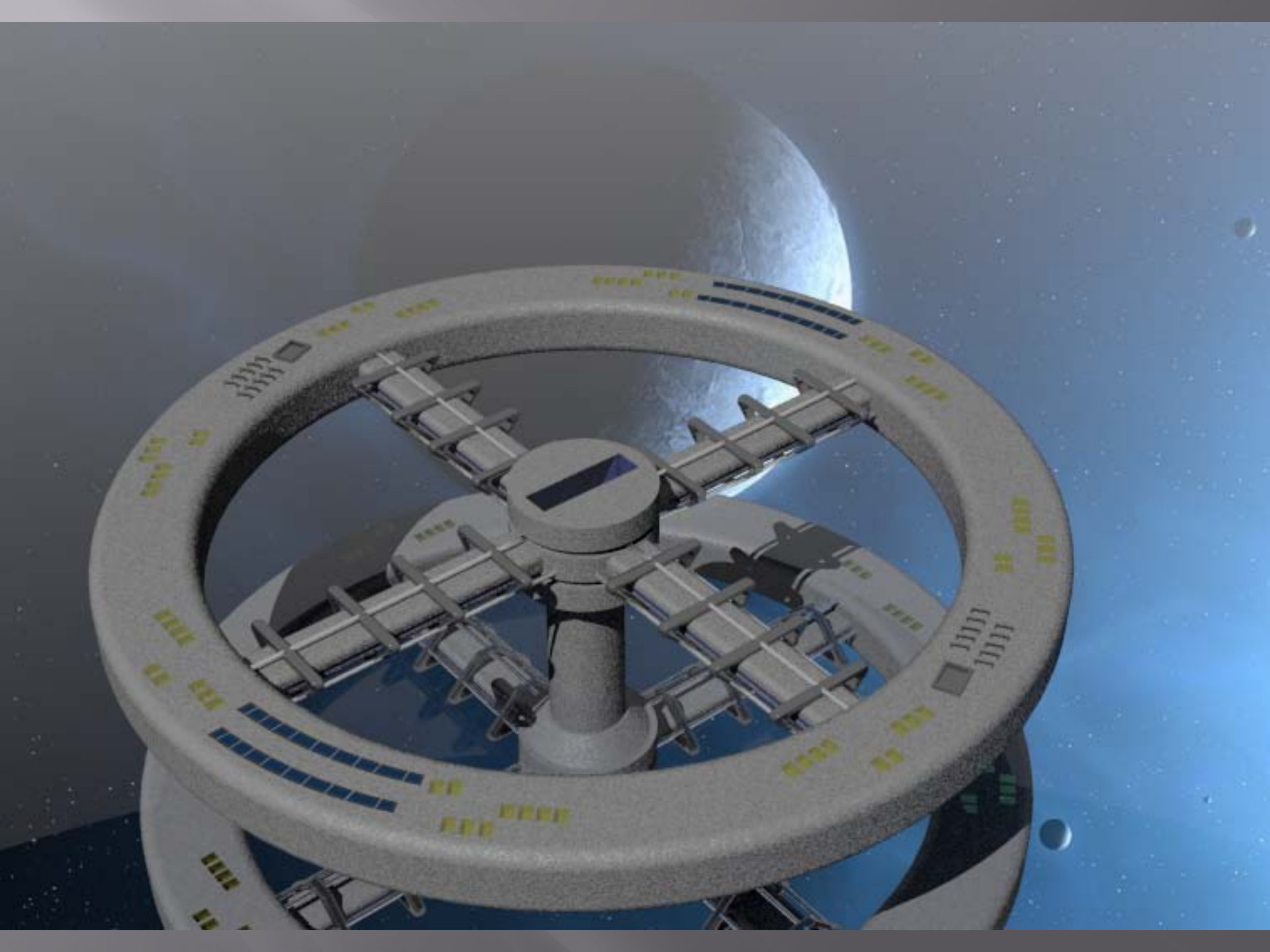
End Near Point Mid Cen Int Perp Tan Quad Knot Project STrack Disable

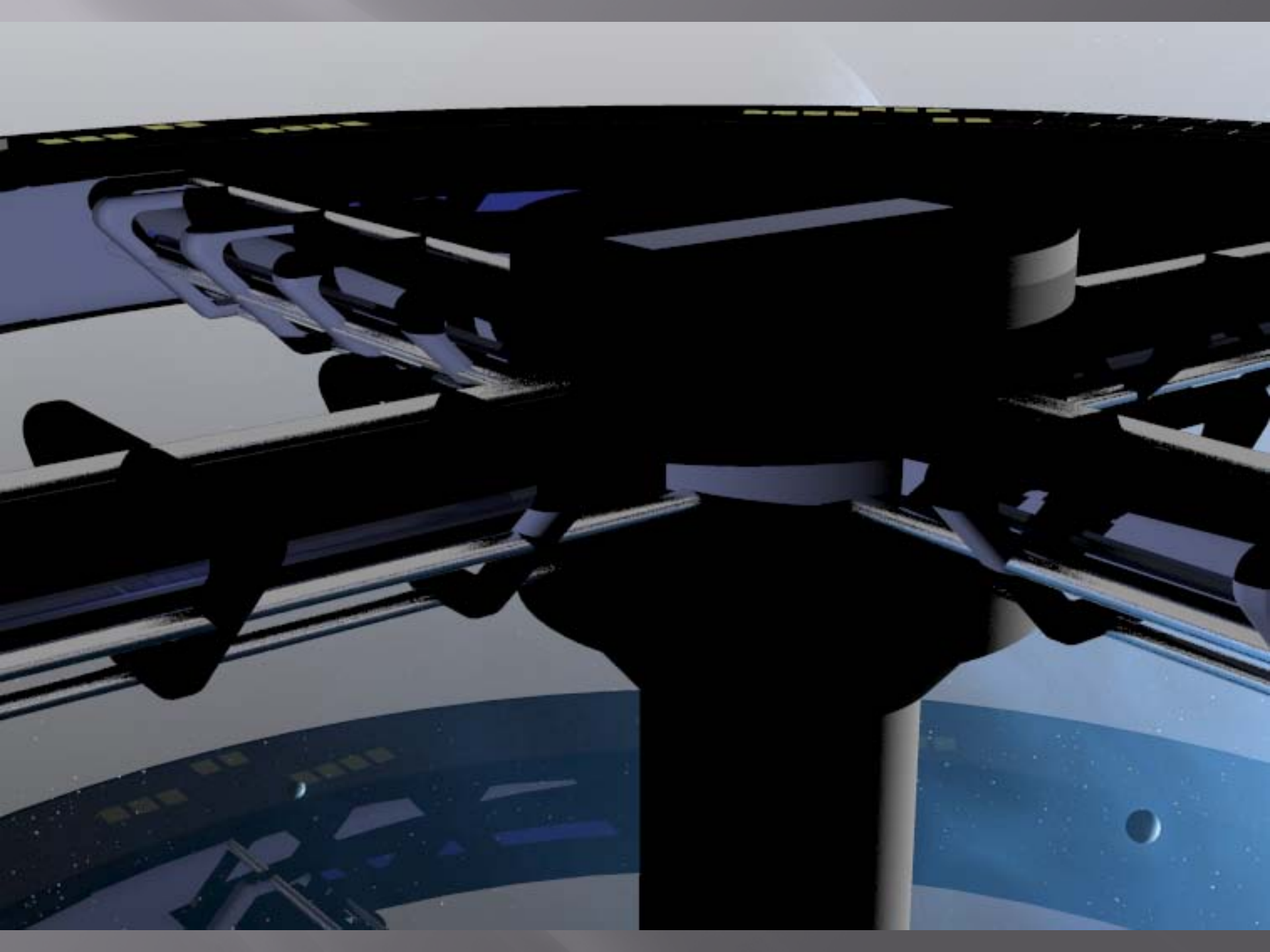
CPlane x -77.15 y 88.94 z 0.00 Default Snap Ortho Planar Osnap Record History

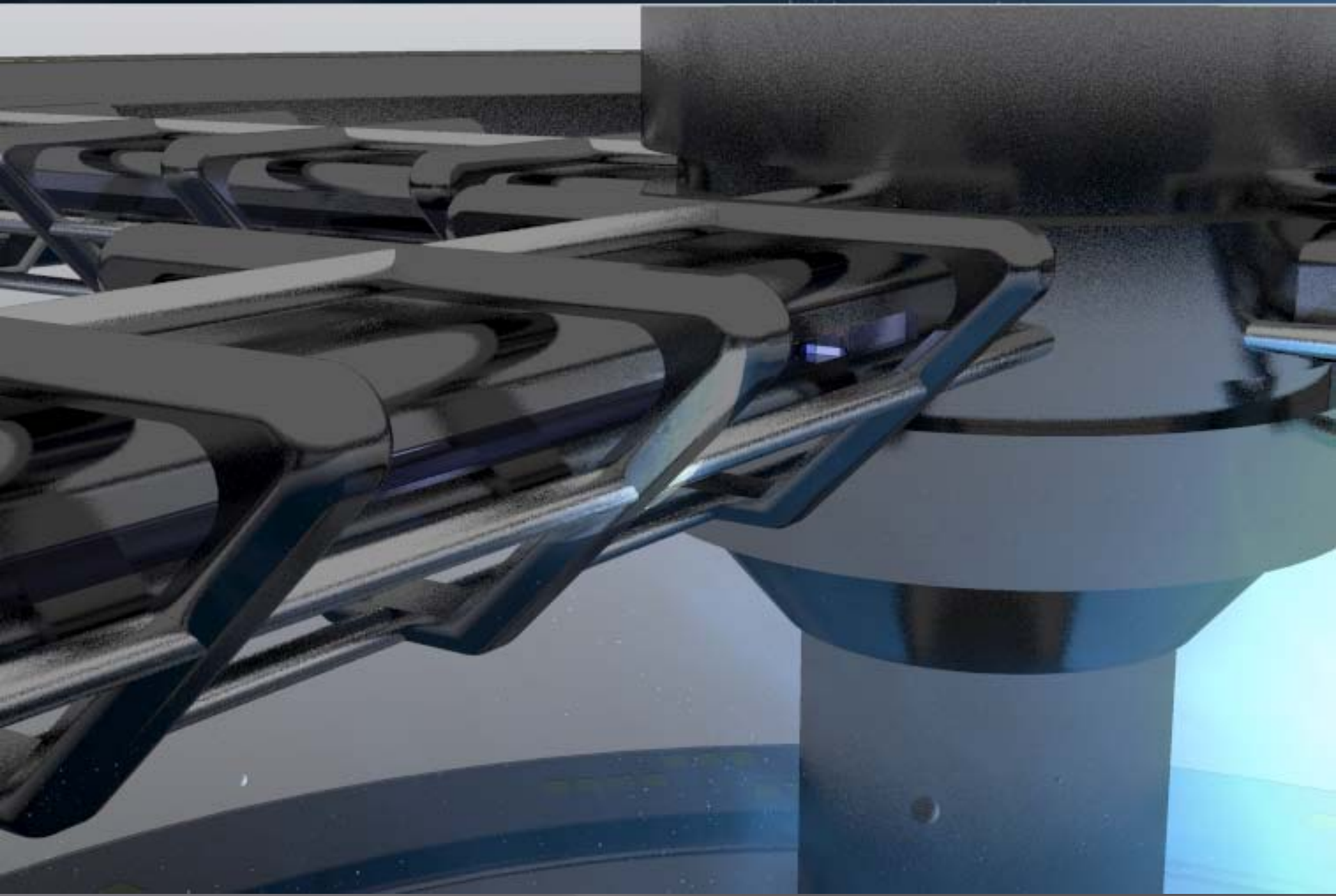


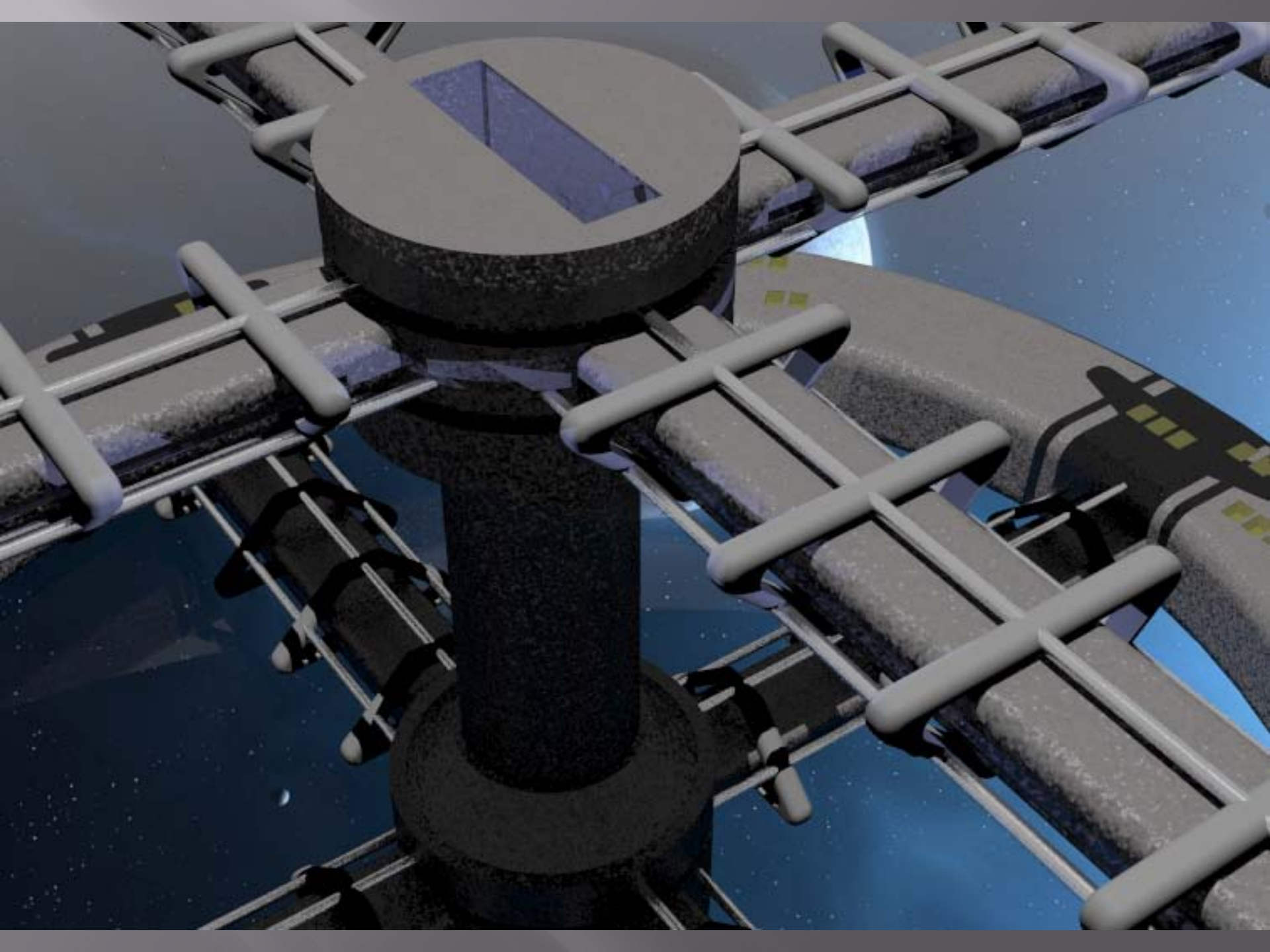


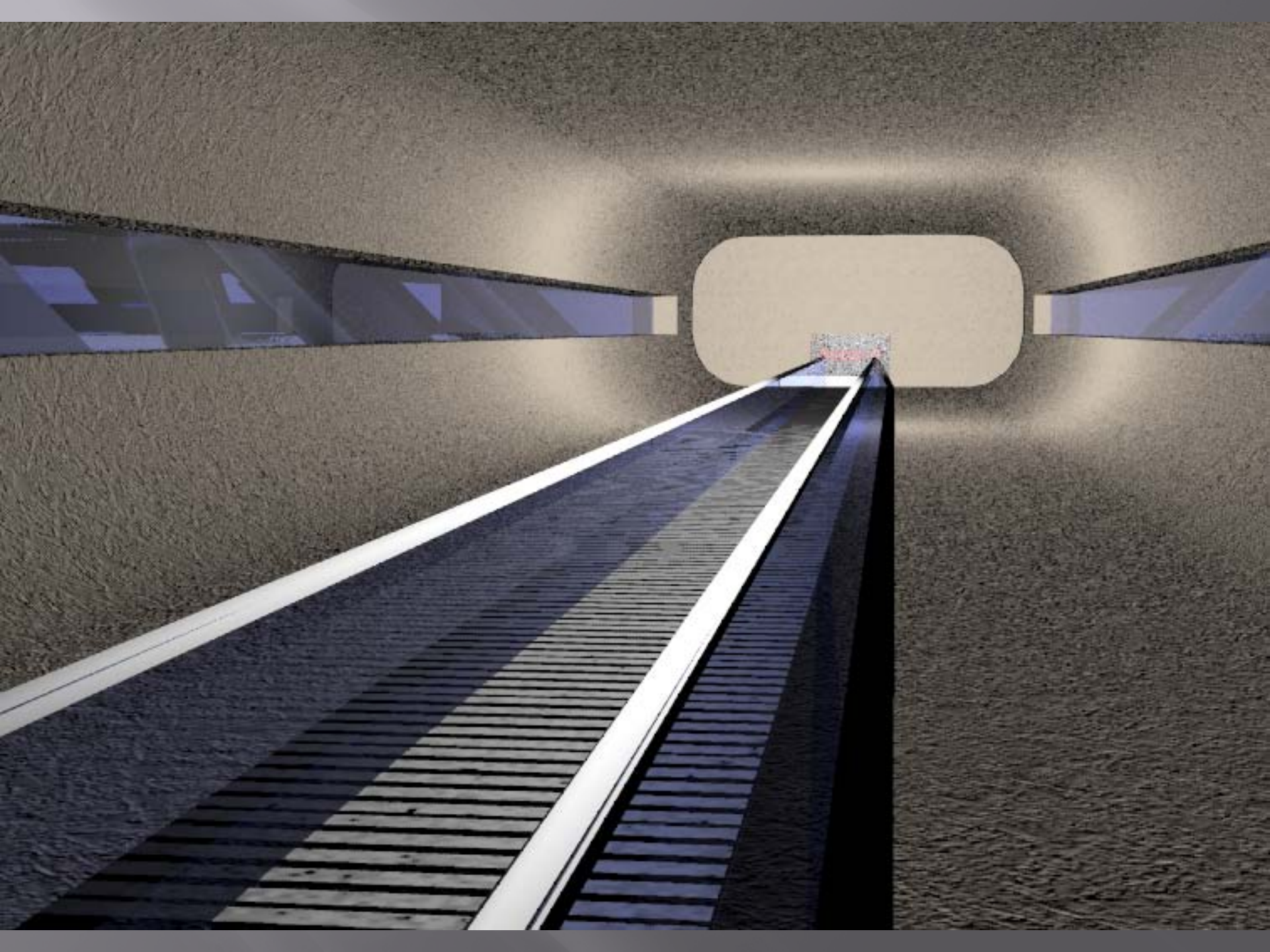












Questions?